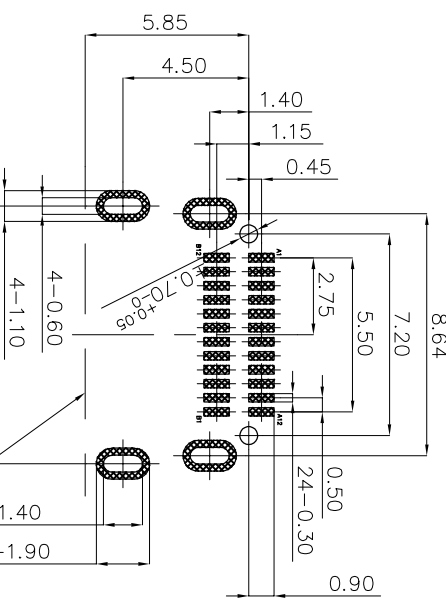
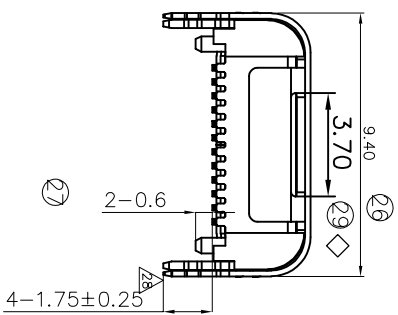
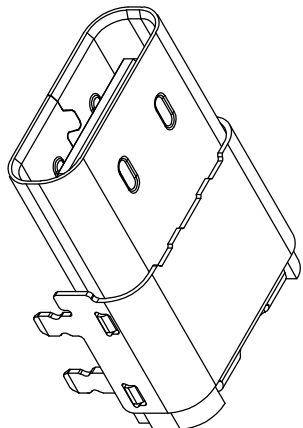


SECTION "A-A"



RECOMMENDED P.C.B LAYOUT (TOP VIEW)  
公差±0.05

- REMARKS (备注):
- CONTACT INSERTION AND WITHAPPROVED FORCE (插接力):
    - 1.1. Insertion force (插入力): 5N-20N max.
    - 1.2. WithAPPROVED force (拔出力): 8N-20N.
    - 1.3. Durability (耐久性): 10000Cycles.
  - ELECTRIC PROPERTY (电气性能):
    - 2.1. Contact current rating (额定电流): 5A.
    - 2.2. Dielectric Strength (介电强度): 100V AC (RMS).
    - 2.3. Insulation Resistance (绝缘电阻): 100 megohms (兆欧) min.
    - 2.4. Contact resistance (接触电阻):
      - 40mOhms MAX. FOR VBUS, GND AND OTHER CONTACT.
      - 50mOhms MAX. AFTER ENVIRONMENT TEST.
  - AMBIENT TEMPERATURE (温度环境):
    - 3.1. Operating temperature (制造温度): -25° C to +85° C.
4. Marked " xx " should be FAI DIM 标 △ 的为重点管控

REV.	更改尺寸29号: 由2.5更改为3.7	APPROVED	Andy	DATE	2023/04/01
FCN/DESCRIPTION					

TOLERANCE:		UNIT		 深圳市同心富精密电子有限公司 Shenzhen TXR Precision Electronics Co., LTD	
X. ±0.50	X. ° ±1°	MM			
.X ±0.35	.X ° ±1°	SHEET		SCALE	DESIGN:
.XX ±0.25	.XX ° ±1.0°	1/13	APPROVED:	Andy	2019.02.08
.XXX ±0.10			CHECK:	Mi Jo	2023.3.14
		REV: A	APPR:		ITPM: USP 3.1 CR 24P板上双排插H12.4脚长 HL: 75MM双壳
			DRW NO:	C-24001-02	